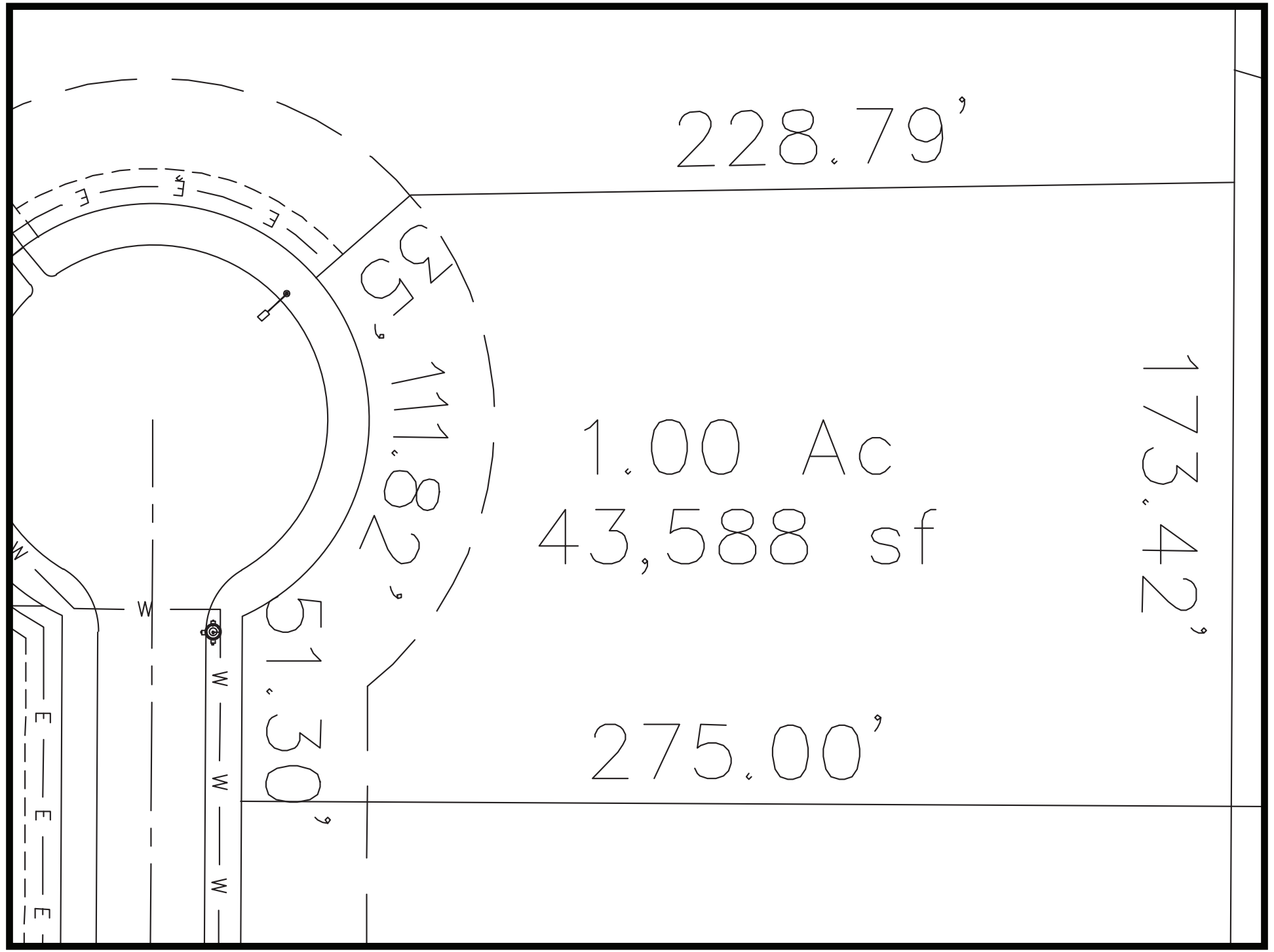


# LOT 23



228.79'

1.00 Ac  
43,588 sf

173.42'

275.00'

35'  
111.82'  
51.30'

W  
W  
W

E  
E  
E  
E