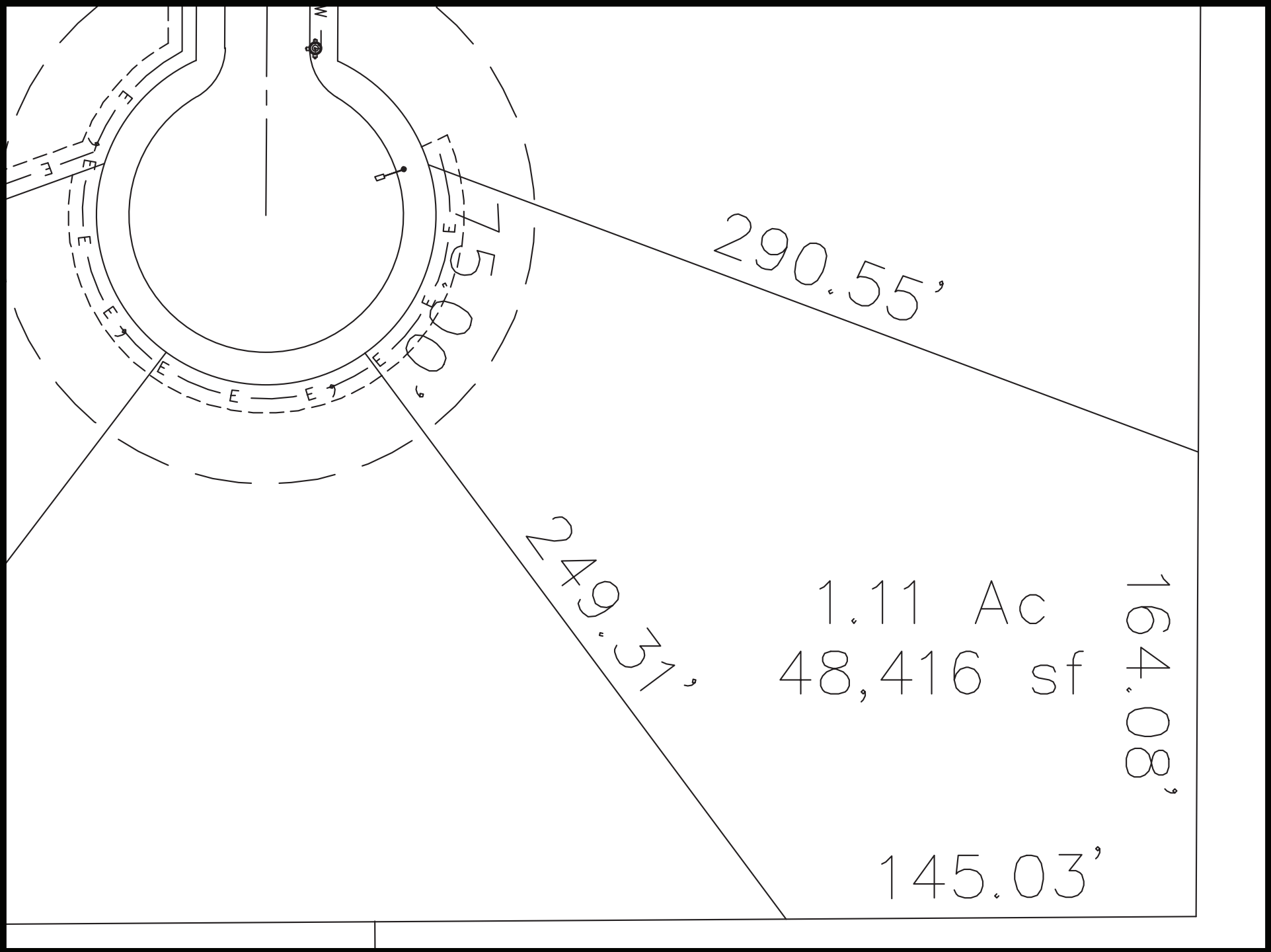


# LOT 57



290.55'

249.37'

1.11 Ac  
48,416 sf

164.08'

145.03'