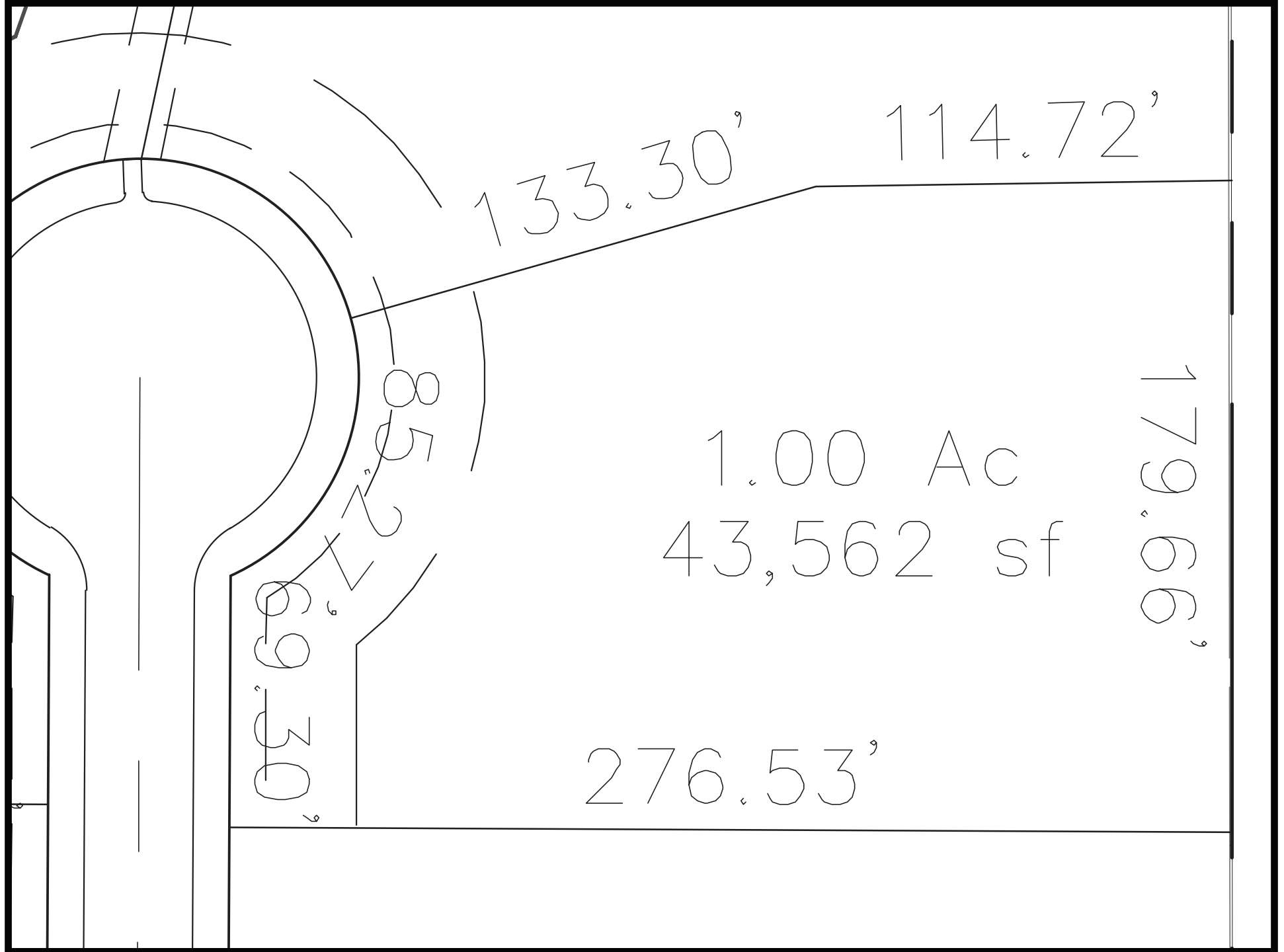


LOT 7



133.30'

114.72'

1.00 Ac
43,562 sf

179.66'

276.53'

69.30'

27.00'

05.00'