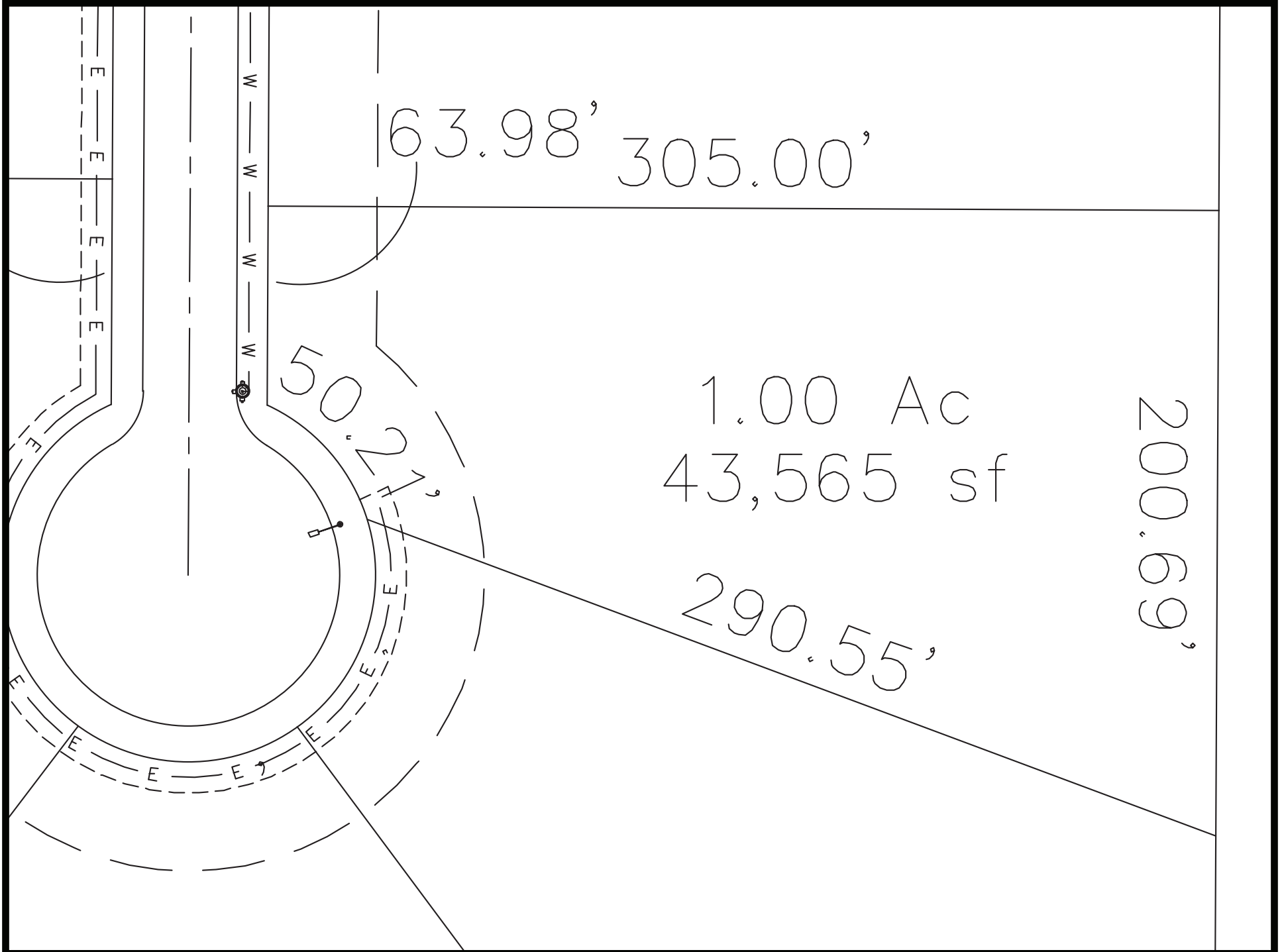


LOT 56



63.98' 305.00'

1.00 Ac
43,565 sf

200.69'

290.55'

50.00'

E
E
E
E
E

W
W
W
W
W

E
E
E
E
E