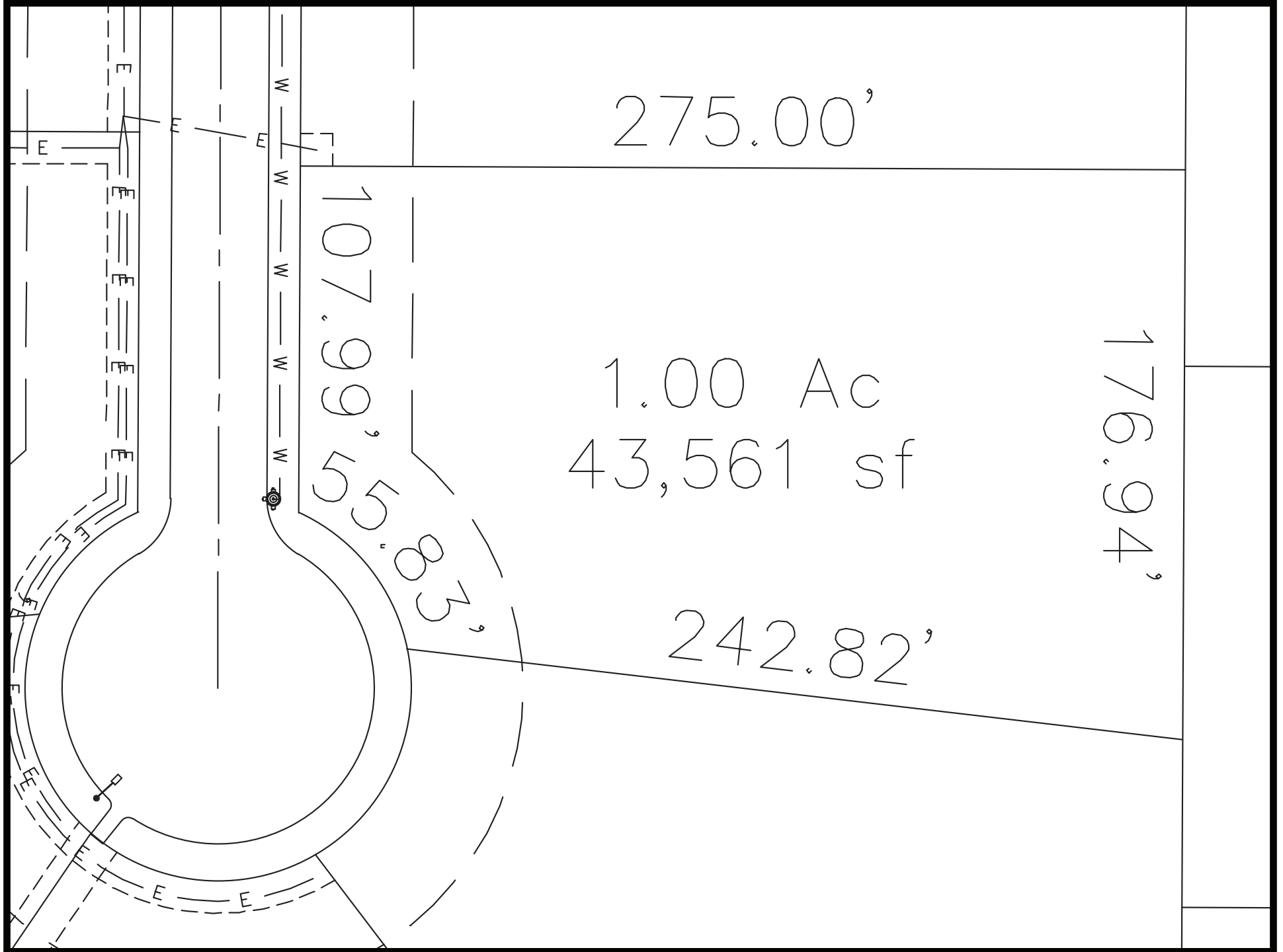


LOT 34



275.00'

1.00 Ac
43,561 sf

176.94'

242.82'

107.99'

57.83'