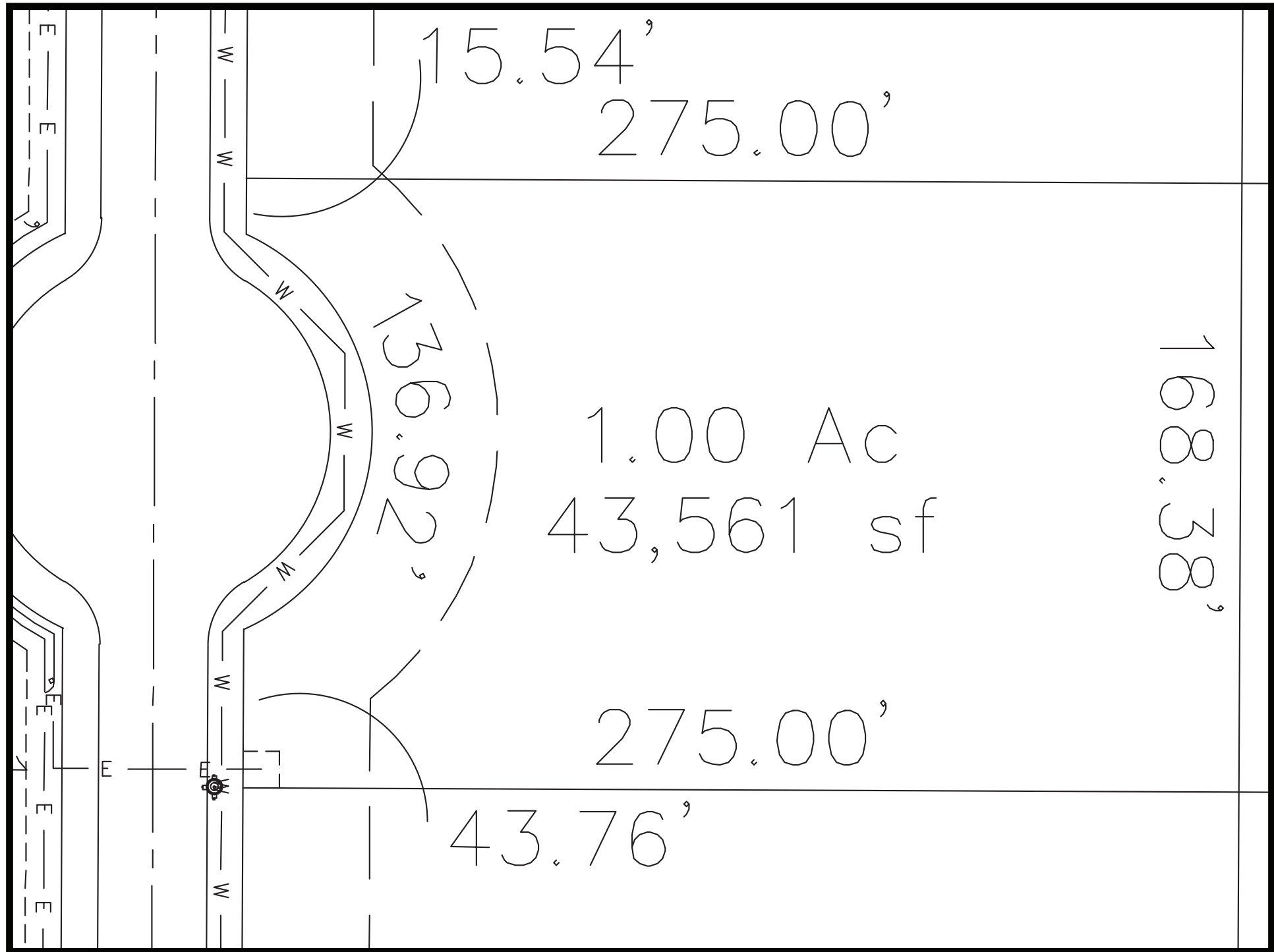


LOT 20



15.54'
275.00'

136.92'

1.00 Ac
43,561 sf

168.38'

275.00'

43.76'